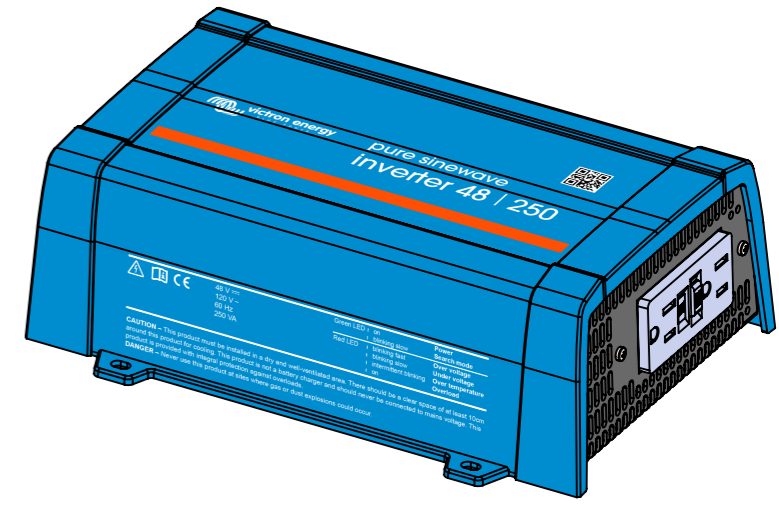
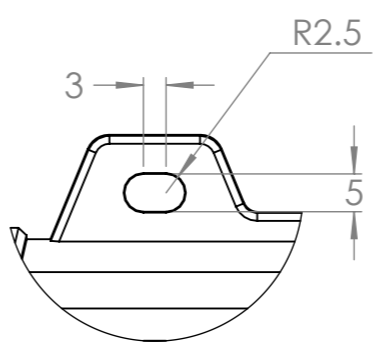
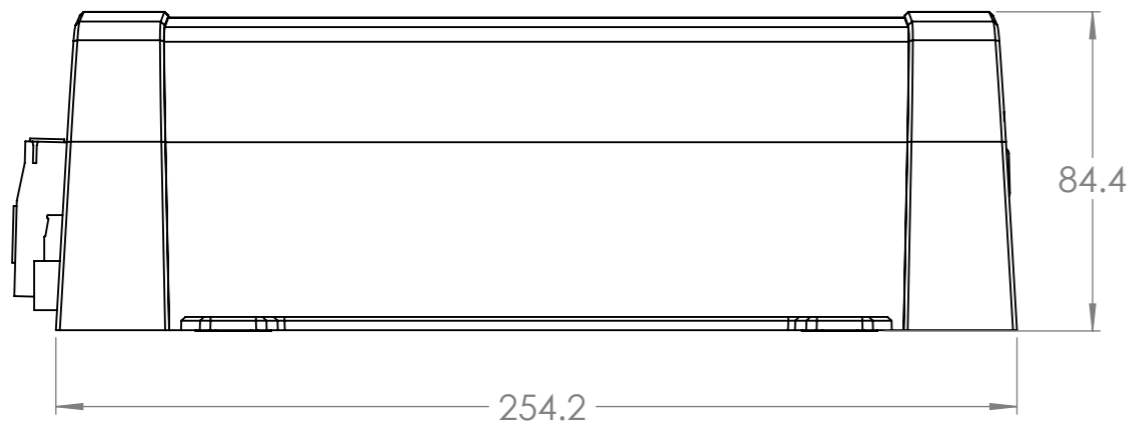
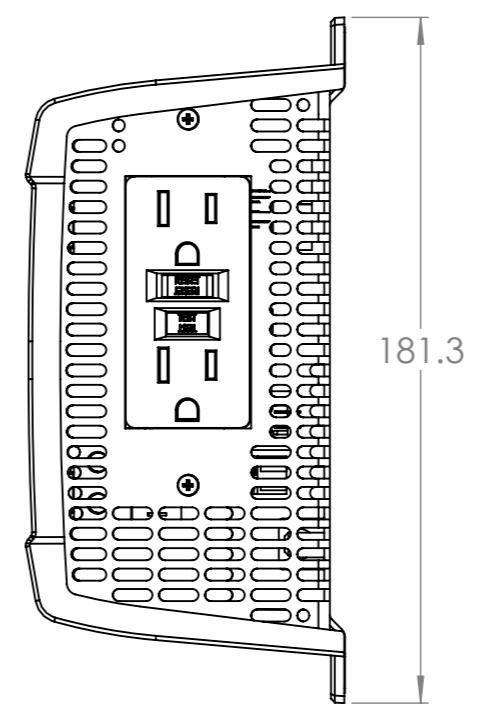
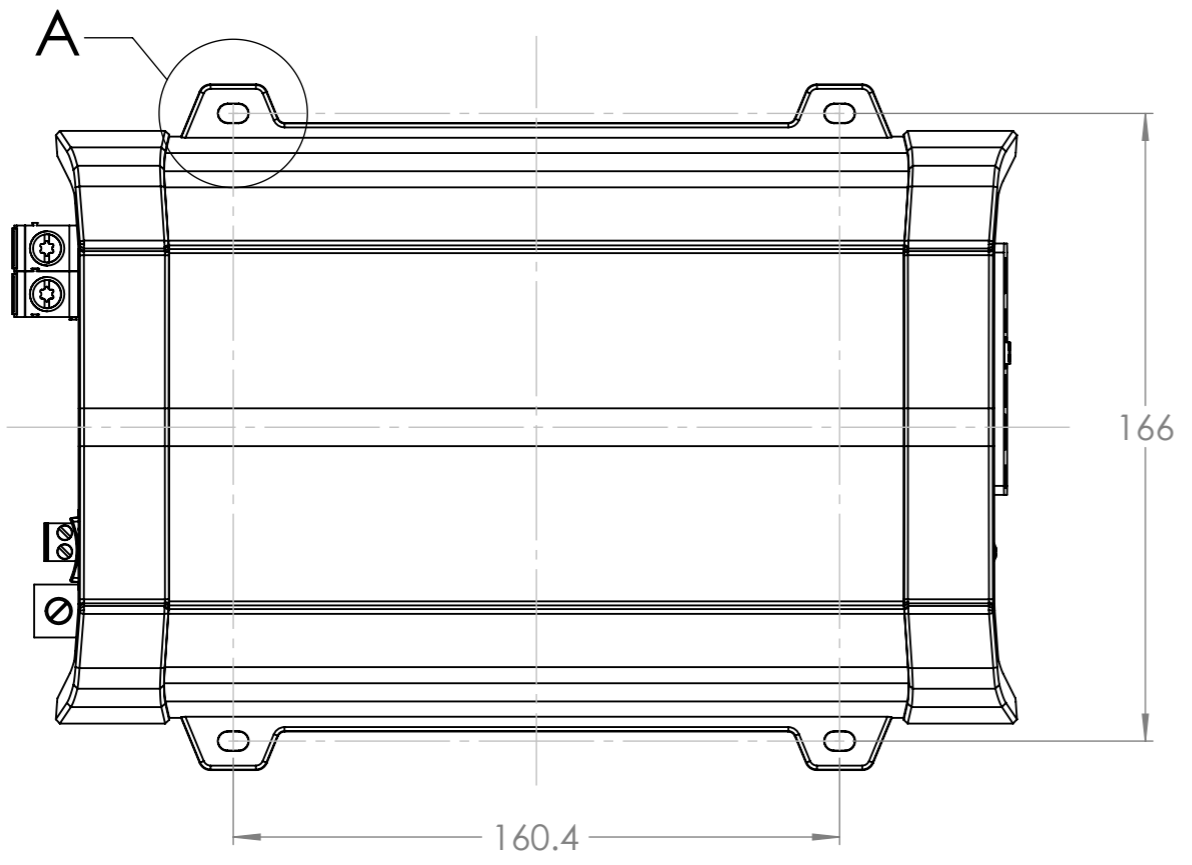


Dimension Drawing - 250VA inverter GFCI

PIN122510510	Inverter 12/250 120V VE.Direct NEMA GFCI
PIN242510510	Inverter 24/250 120V VE.Direct NEMA GFCI
PIN482510510	Inverter 48/250 120V VE.Direct NEMA GFCI



Dimensions in mm

